

i-limb digits is a customized prosthetic device for individuals with partial hand loss or deficiency.

Product Features

- Externally powered prosthesis
- Articulating digits with individual stall out ability
- Programmable grip patterns and gestures
- Compliant grip, vari-grip, auto-grasp and proportional control
- Rotatable thumb
- Controlled by electrodes or force-sensing resistors
- **biosim** prosthesis control software
- External batteries

Benefits

- Individuals fit with an i-limb digits prosthesis reported improved functional abilities.¹
- Individually motorized digits work in conjunction with residual limb and any remaining fingers to improve function.
- Wristband provides unrestricted wrist movement and an open forearm to reduce heat and sweating.²
- Compact design provides solutions for a wider variety of patients.
- Programmable features help complete functional tasks and can be further customized for precise control.

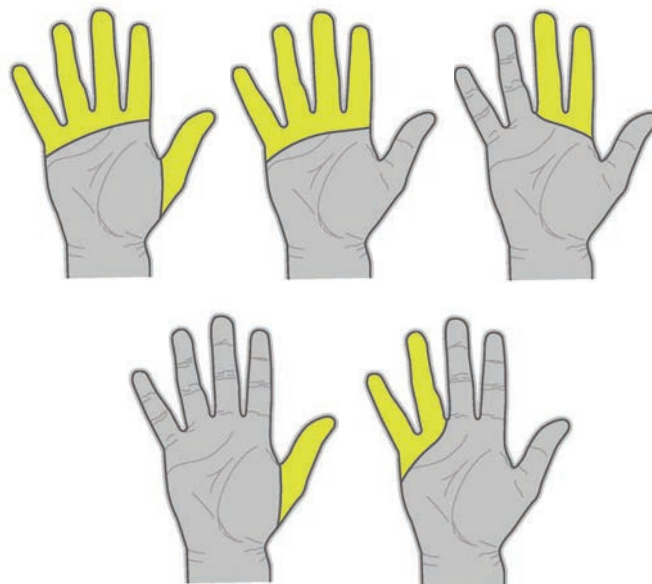


1. Whelan, L, Wagner, N, Lindborg, K. (2013). Patient Care Pathway: *Measuring Outcome with Upper Limb Prostheses*. Presented at the American Academy of Orthotists & Prosthetists. Orlando, FL.

2. In limited cases, a full silicone socket may be fabricated when a wristband may not be utilized.

Selection Criteria

i-limb digits is appropriate for partial hand absence. Suitable candidates present with partial hand loss where the level of loss or deficiency is distal to the wrist and proximal of the metacarpophalangeal joint. Anywhere from one to five digits can be replaced and potential examples are shown in Figure 1.



Fitting an i-limb digits Prosthesis

As a highly individualized product, Touch Bionics offers a world-class training program, Touch Link™ Academy, to assist clinicians who are interested in fitting patients with **i-limb digits** within their own practice. The program provides training and certification in the proper application of **i-limb digits** to help ensure the best possible patient outcomes. Continuing education credits are available for attendees.

Remote fittings by Touch Bionics' specialized clinical staff may also be arranged on a limited basis.

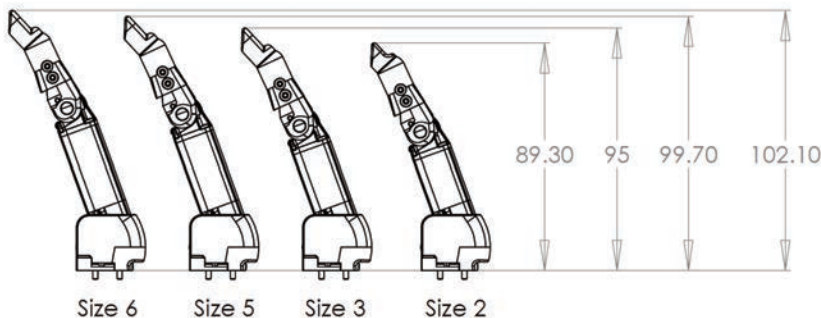
Figure 1.

Reimbursement and Billing Assistance

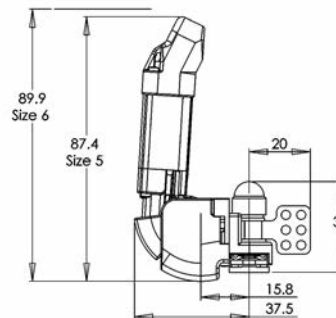
Our dedicated reimbursement staff can assist you with achieving insurance authorization for an **i-limb digits** prosthesis. Call 1 855 MY iLIMB for assistance.

Digit Sizes & Mounting Options

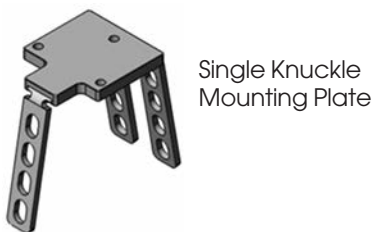
- Digit Options
 - four sizes: 2, 3, 5 and 6



- Rotational Thumb Options
 - two sizes: 5 and 6



- Knuckle Mounting Plate Options



Knuckle Mounting Plate

Not to scale, lengths in mm

North American Customers (US, Canada & Mexico)
Tel: +1 855 MY iLIMB (694 5462)

UK & Non-North American Customers
Tel: +44 1506 438 556

www.touchbionics.com
Email: info@touchbionics.com